



Punching Tools for Plastic Cards

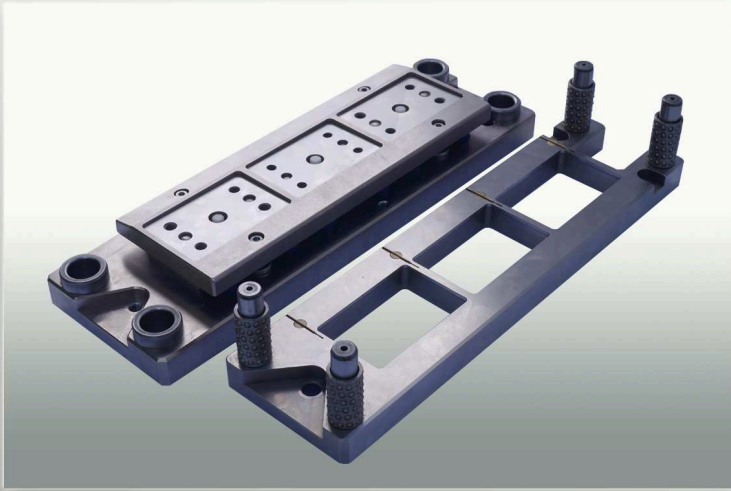
The concept of the YOUR-TOOL tooling design, is to offer an optimal balance between investment cost and lifetime of the tool.



The tools are designed for a long life, with low maintenance cost and highest cut quality.



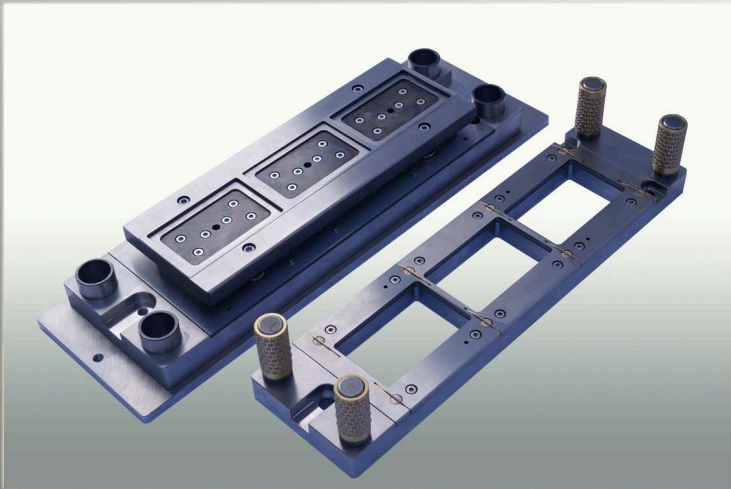
Punching Tools for Plastic Cards



Your-Tool PVC-S

Forged solid steel body tool

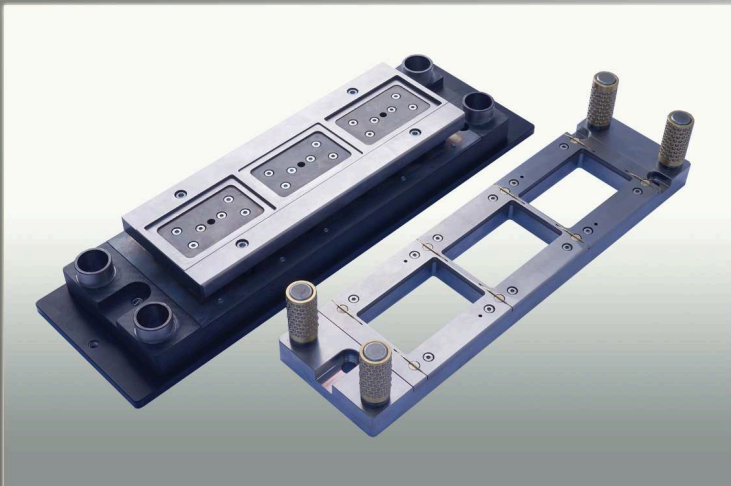
- ❖ The most cost effective version; depends on that pieces can be manufactured in EMS in one slot to save costs.



Your-Tool PVC-S+ / PC-S+

Forged steel body with HSS inserts

- ❖ Can be more precisely manufactured, because the insert can be made tighter.
- ❖ Having one more interface between the steel body and insert results in a longer manufacturing time.
- ❖ Reduced maintenance time.



Your-Tool CFK-PVC-S+ CFK-PC-S+

CFK top plate with HSS inserts

- ❖ The CFK has a better absorption of the cutting shock, which increases the lifetime of the whole tool.
- ❖ Reduced maintenance cost and time.