

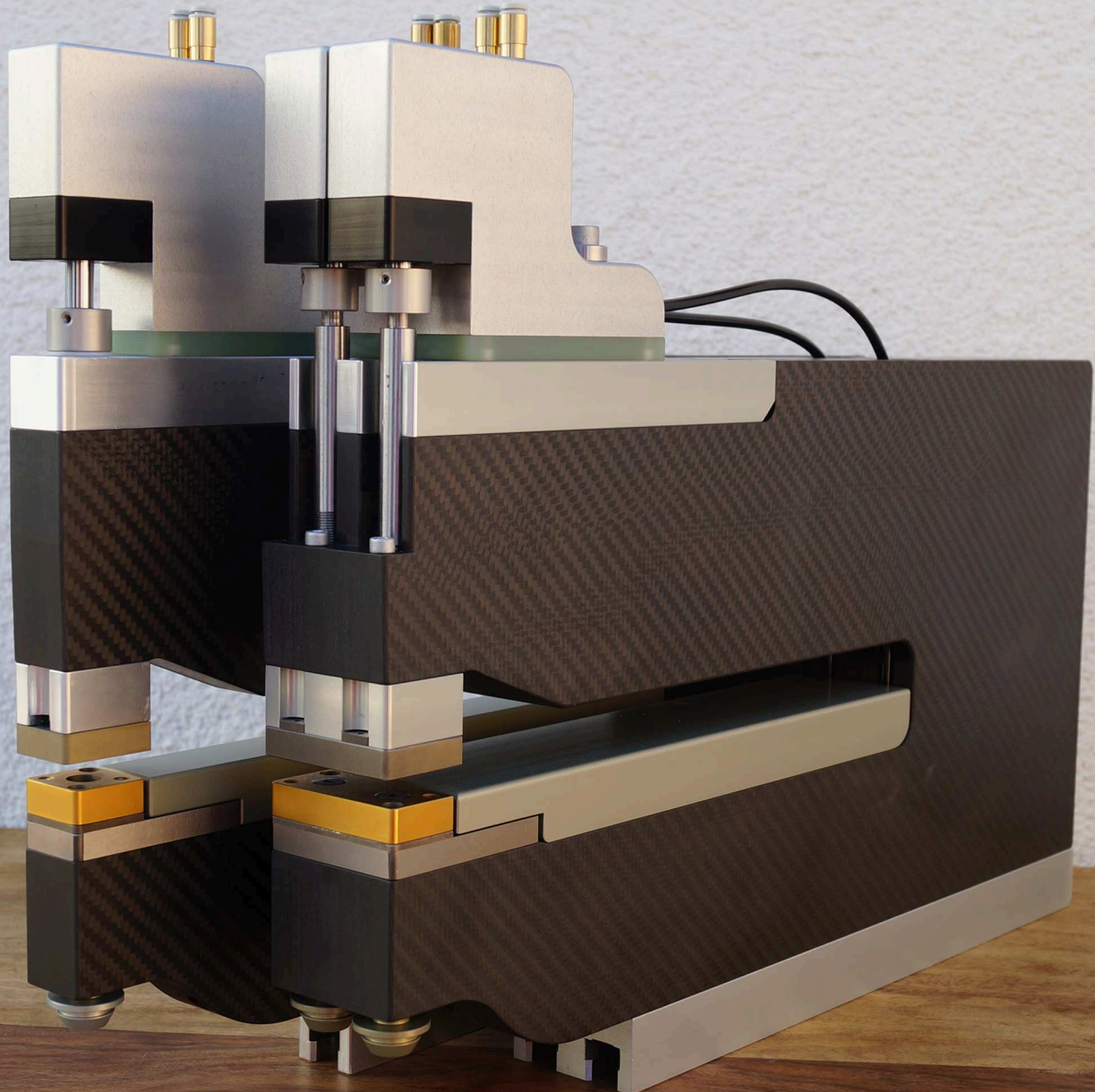


[www.your-tool.net](http://www.your-tool.net)

E-Mail: [office@your-tool.net](mailto:office@your-tool.net)

Tel.: +43 (0) 2624 20 277-0

## Punching Tools for LTCC & Flex Boards



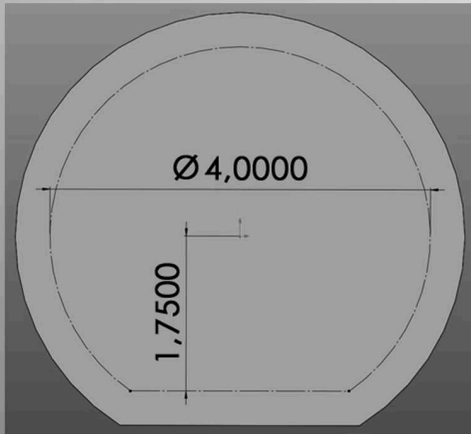


## Punching Tools for Punching Machines

Frame Material: Aluminum or Carbon  
Frame size: 6", 8" and 13"  
Frame Width: 25,50,75,100,125,150  
Drive source: Air, Servo, Linear, Hybrid  
Jet air: yes able to throttle  
Sheet thickness: max 0,48mm  
(if necessary we can change it to thicker sheets)

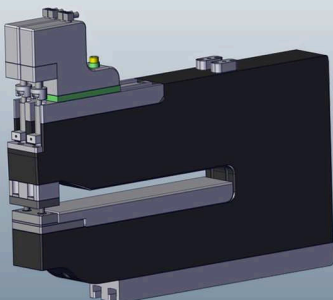
pin diameter: 0,08-3,5mm (only for single punchers)  
punch types: grid, highspeed, single punches, twin

Pin and die size geometry must fit in these dimensions  
(only for single punchers):

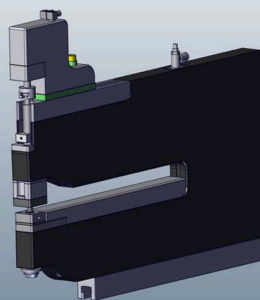


If larger sizes and modules are required please contact us.

8" Twin Frame



8" Single Puncher



6" Single Puncher

